

Shelter Instructions

Model 400

DIMENSIONS:

FLOOR SPACE: 400 SQ FT

DEPLOYED DIMENSIONS (EXTERIOR): 21' X 20' X 10.7'

DEPLOYED DIMENSIONS (INTERIOR): 21' X 19.2' X 10'

PACKED DIMENSIONS: 40" X 30" X 24"

WEIGHT (BASE SHELTER ONLY): 210 LBS

PERFORMANCE:

WIND LOAD (SUSTAINED): 50 mph

WIND LOAD (GUST): 60 mph

RAIN / SNOW LOAD: 750 gpm (104.25 LBS p/s)

OPERATING TEMPERATURE RANGE: -60F to +140F

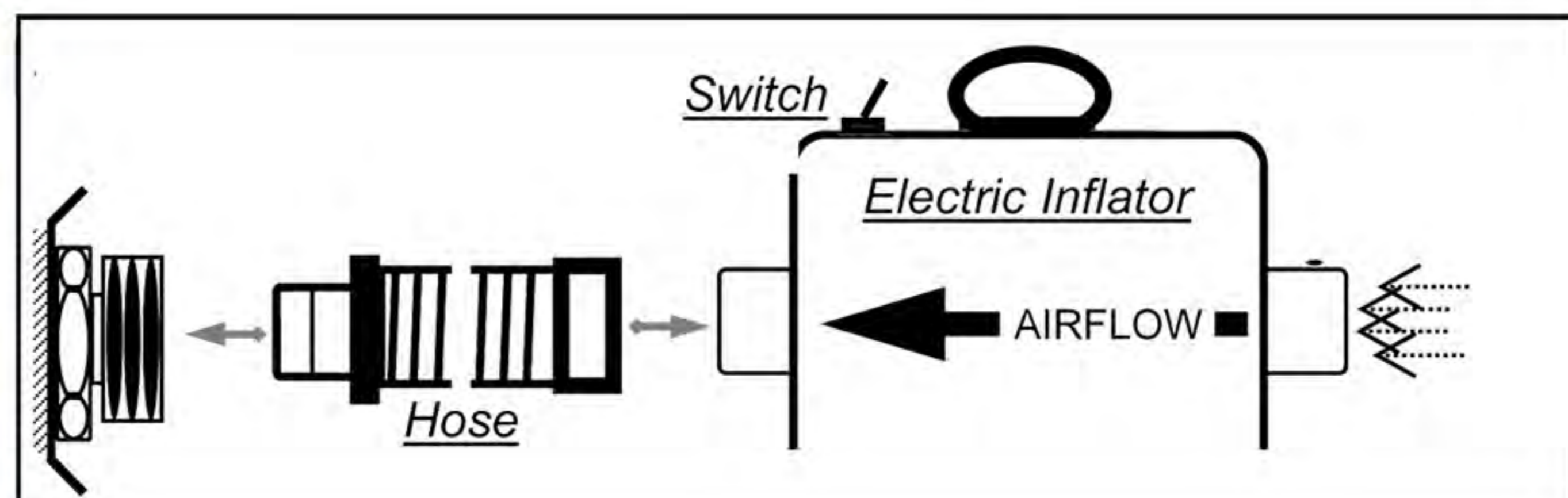
OPERATING AIR PRESSURE: 3.5 PSI

MAX AIR PRESSURE: 5 PSI

MIN AIR PRESSURE: 1 PSI

Inflation Instructions

1. Open carrying case.
2. Roll case & shelter upside down and remove carrying bag.
3. Locate valves at the corner of shelter airframe.
4. Connect hose to inflator then connect hose nipple to shelter valve, push into valve.
5. Pull valve to open.
There is no need to unroll the shelter manually, unless deploying in an area with limited space
7. Run inflator until deployed. * The shelter will roll out then to the left of the valve.*
8. Pull valve to close.
9. Shut off inflator.



Folding Shelter

Models 150,216, 284,311,400

Pull Canopy into floor footprint

